


## PRODUCT SHEET

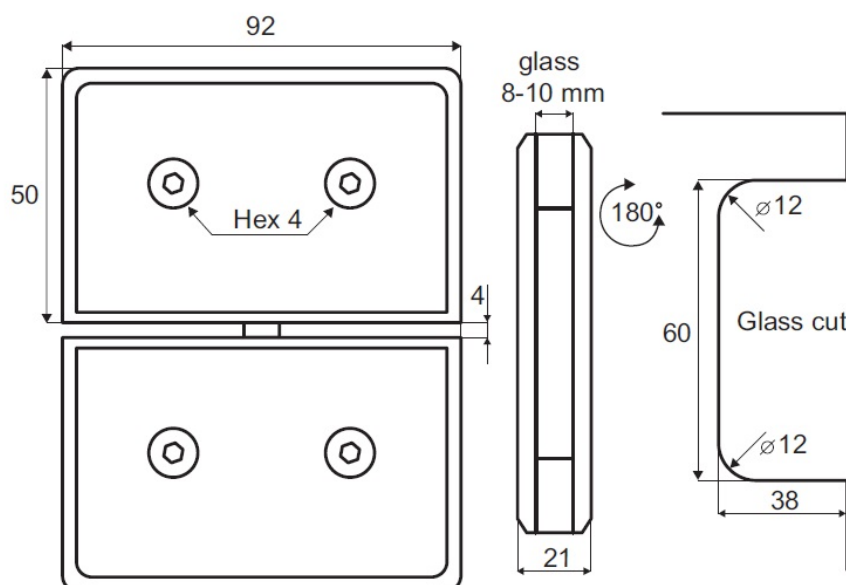
### Description:

Shower Pivot Hinge "Lodz", Glass/Glass, CPL, 50x92x21mm, Brass Material, Incl. Gaskets, Screws & Templates, Self-, Centering When Within 15DG, Of Closed Position, 8-10mm Glass, Thickness

### Item number:

15.23.907-0

Units	Box	Carton	HS Code	Barcode
Pcs.	1	10	8302100090	 5704866060288



### SISO A/S

Mileparken 11  
DK-2740 Skovlunde  
Denmark  
VAT: DK 24786013

Phone +45 45 830 900

[www.siso.dk](http://www.siso.dk)  
[siso@siso.dk](mailto:siso@siso.dk)

Danske Bank  
Nytorv Branch  
Copenhagen  
SWIFT: DABADKKK

Account no.  
4180 3112 112936  
IBAN Account  
DK7230003112112936